



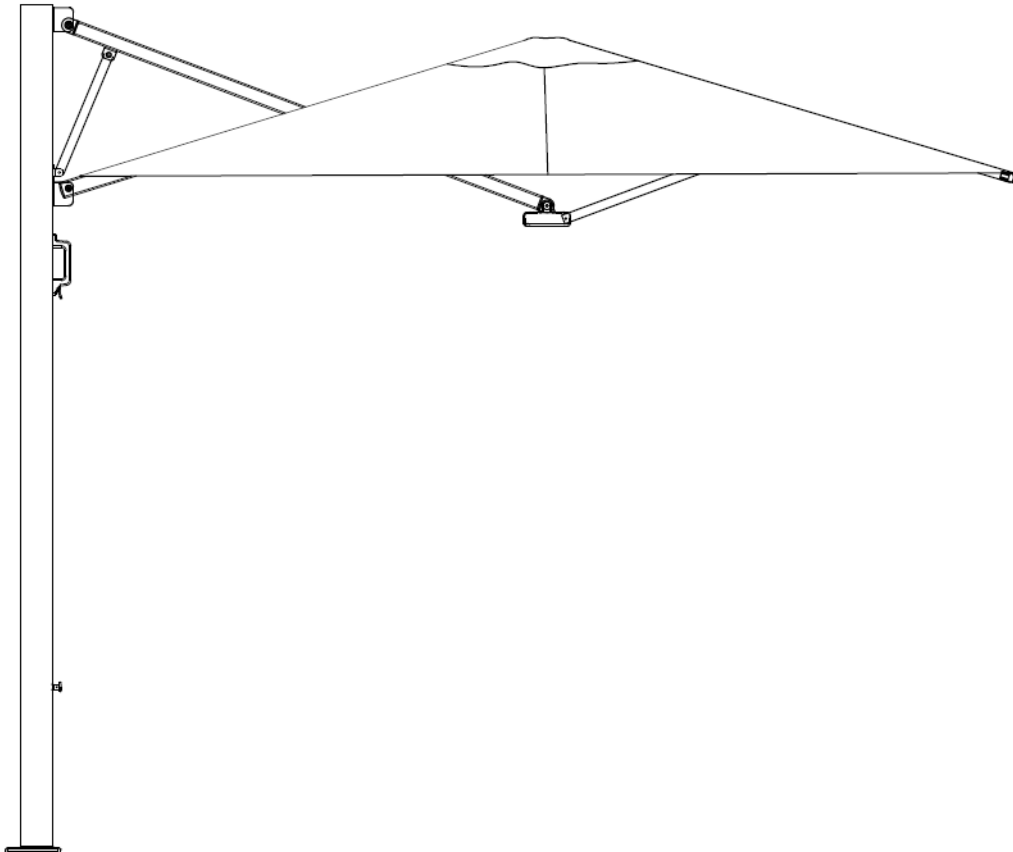
SOLA BY SKYSPAN

ASSEMBLY INSTRUCTIONS





SOLA COASTAL UMBRELLA

2.5 x 2.5m Square

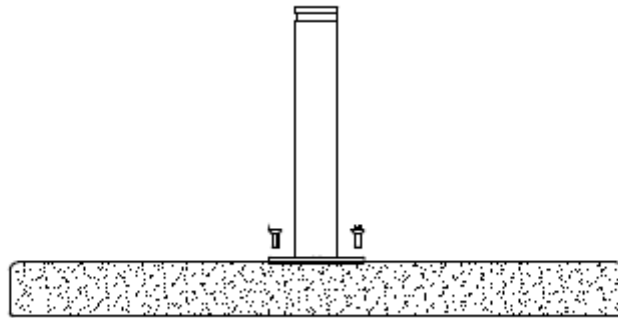
3m Octagonal



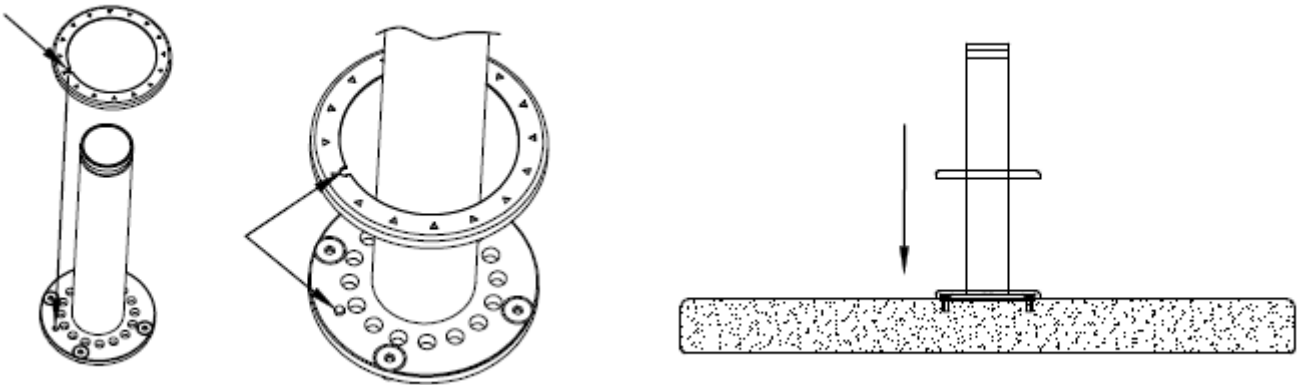
CONTENTS

	Item	Description	Quantity
A		Umbrella	1
B		Allan Key 8mm	1
C		Bolt M10 x 20mm	4
D		Washer 10mm	4

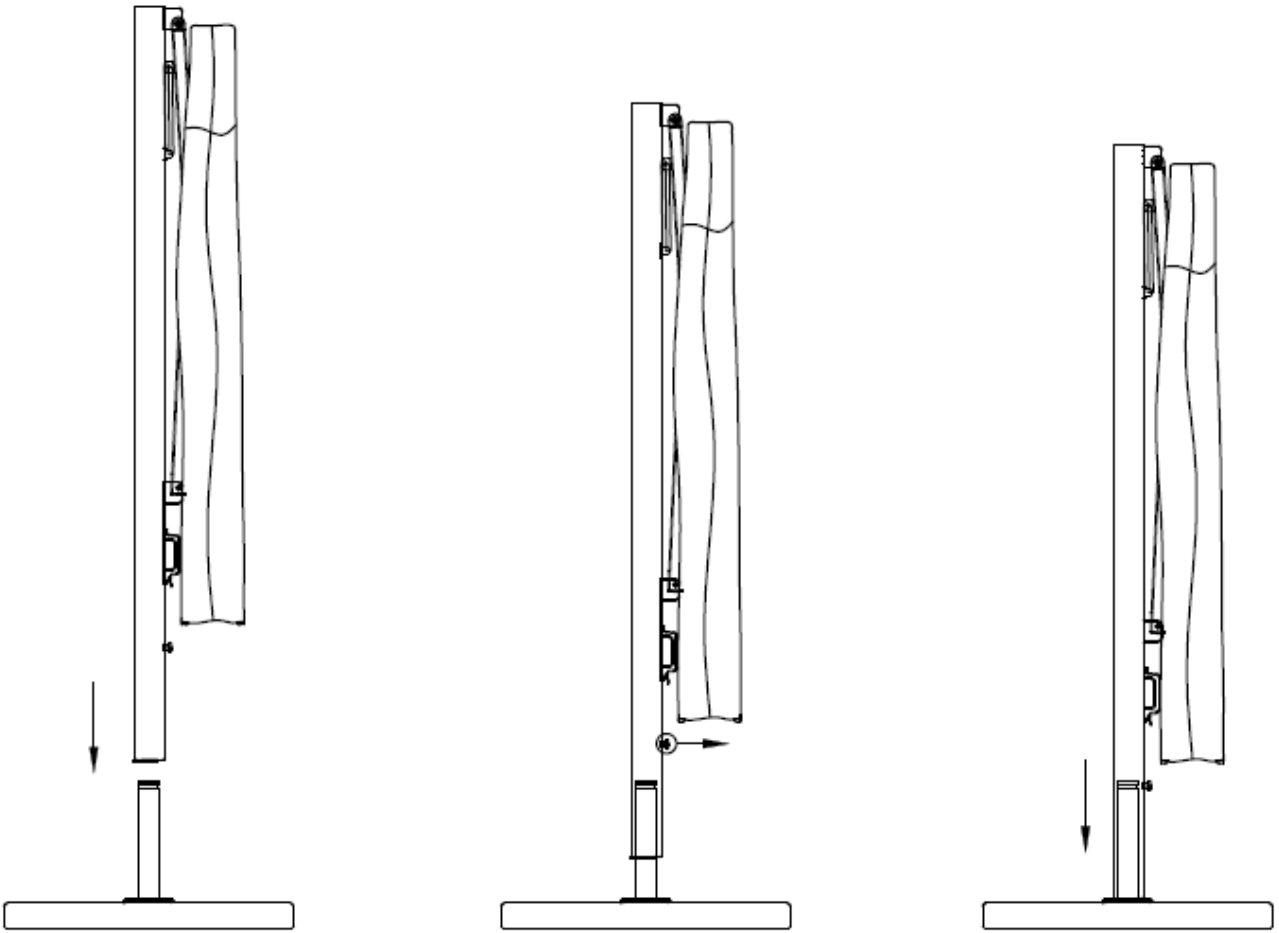
ASSEMBLY INSTRUCTIONS



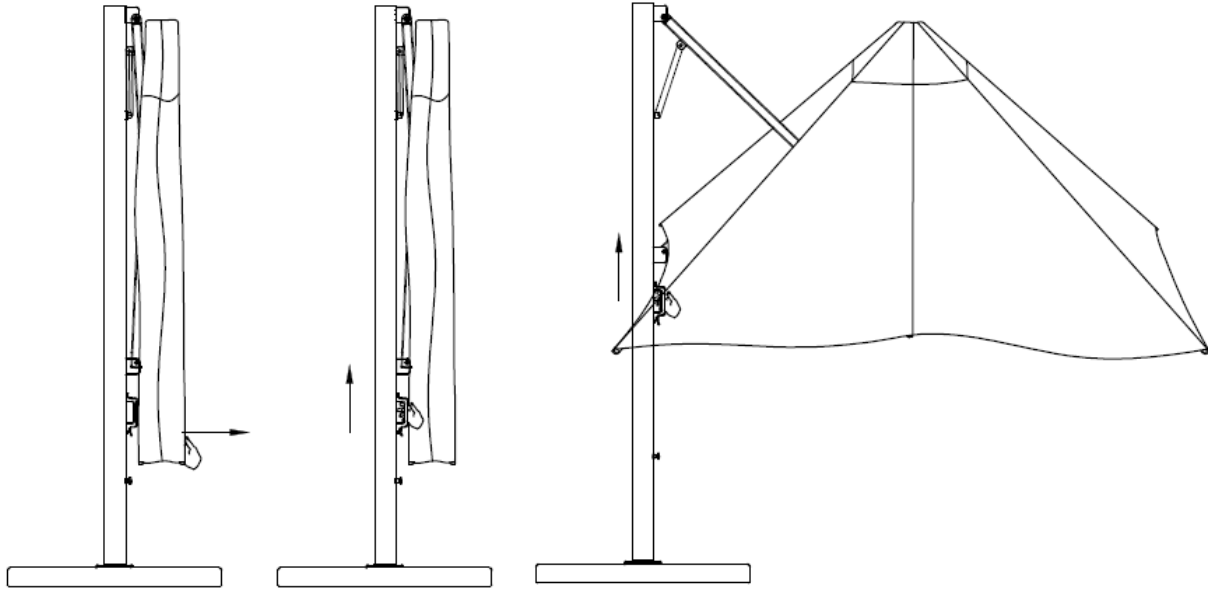
1. Place umbrella spigot on chosen base. Secure umbrella to base using 4*M10 bolt and 4*M10 washers. Fasten with 8mm allen key until secure.



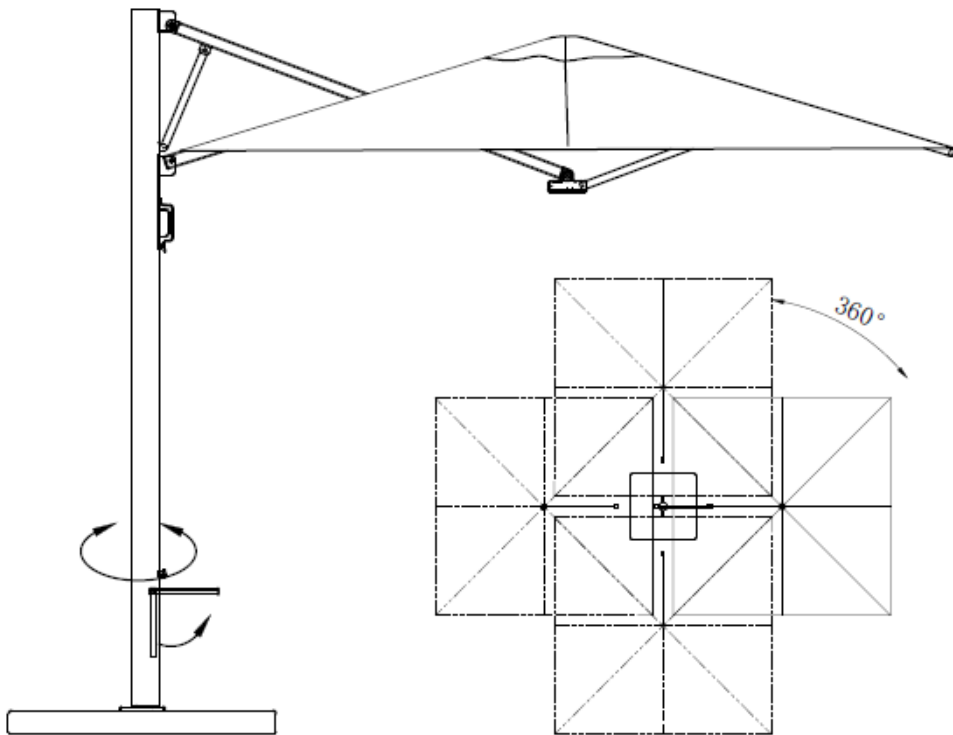
2. Place collar over spigot to cover bolts



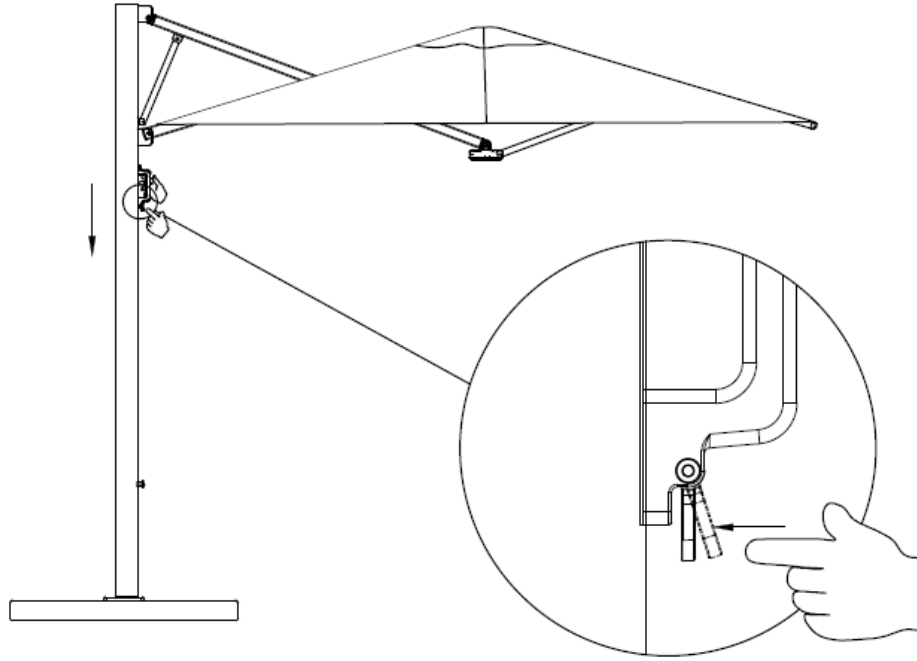
3. Place umbrella over the spigot. Disengage the rotational knob to allow the umbrella locks into the spigot.



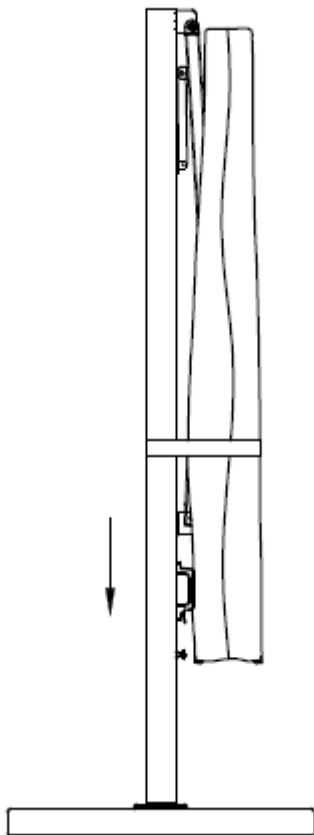
4. To open canopy, disconnect the Velcro strap. Grab handle and pull in lever. Raise handle until it reaches the top



5. For 360° rotation, release the locking knob, pull out rotational lever, and turn to desired position



6. To retract umbrella, slide locking pin toward column. Bring handle to lowest possible position.



7. Use Velcro umbrella strap to secure canopy to main column. Store safely



SOLA BY **SKYSPAN**

www.skyspanshade.com.au | sales@skyspanshade.com.au | +61 (07) 3804 6288